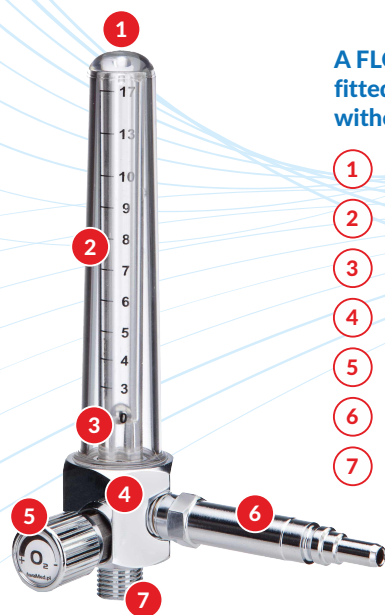


 **AwaMed**<sup>®</sup>  
Medizintechnik

**OXYGEN**  
FLOWMETERS

# OXYGEN FLOWMETERS WITHOUT HUMIDIFIERS



## A FLOWMETER fitted to an outlet/rail without a humidifier

- ① Outside dome
- ② Flowmeter tube with scale
- ③ Flow indicator
- ④ Flowmeter body
- ⑤ Flow control knob
- ⑥ Oxygen intake connector
- ⑦ UNF thread 9/16

## FLOWMETER CHARACTERISTICS

- › infinitely variable flow control by means of a knob,
- › inlet pressure 0.5 MPa (5 bar),
- › inlet UNF thread 9/16,
- › possibility to connect a reusable humidifier,
- › possibility to connect a nut connector for direct fixing of hoses,
- › possibility to connect a RespiFlo or Aquapak disposable humidifier.

SINGLE FLOWMETER WITHOUT HUMIDIFIER	INDEX
Metering range 0-6 l/min, attachable to AGA outlets	DTM 01 01 01
Metering range 0-6 l/min, attachable to DIN outlets	DTM 01 01 02
Metering range 0-17 l/min, attachable to AGA outlets	DTM 02 01 01
Metering range 0-17 l/min, attachable to DIN outlets	DTM 02 01 02

SINGLE FLOWMETER WITHOUT HUMIDIFIER WITH CONNECTOR	INDEX
Metering range 0-6 l/min, attachable to AGA outlets	DTM 01 01 06
Metering range 0-6 l/min, attachable to DIN outlets	DTM 01 01 07
Metering range 0-17 l/min, attachable to AGA outlets	DTM 02 01 06
Metering range 0-17 l/min, attachable to DIN outlets	DTM 02 01 07

DOUBLE FLOWMETER WITHOUT HUMIDIFIER	INDEX
Metering range 2 x 0-6 l/min, attachable to AGA outlets	DTM 01 04 01
Metering range 2 x 0-6 l/min, attachable to DIN outlets	DTM 01 04 02
Metering range 2 x 0-17 l/min, attachable to AGA outlets	DTM 02 04 01
Metering range 2 x 0-17 l/min, attachable to DIN outlets	DTM 02 04 02

SINGLE FLOWMETER WITHOUT HUMIDIFIER	INDEX
Metering range 0-6 l/min, mounted on DIN/MODURA rails with bracket, hose, and AGA angle connector	DTM 01 02 10
Metering range 0-6 l/min, mounted on DIN/MODURA rails with bracket, hose, and DIN angle connector	DTM 01 02 11
Metering range 0-17 l/min, mounted on DIN/MODURA rails with bracket, hose, and AGA angle connector	DTM 02 02 10
Metering range 0-17 l/min, mounted on DIN/MODURA rails with bracket, hose, and DIN angle connector	DTM 02 02 11

DOUBLE FLOWMETER WITHOUT HUMIDIFIER	INDEX
Metering range 2 x 0-6 l/min, mounted on DIN/MODURA rails with bracket, hose, and AGA angle connector	DTM 01 03 01
Metering range 2 x 0-6 l/min, mounted on DIN/MODURA rails with bracket, hose, and DIN angle connector	DTM 01 03 02
Metering range 2 x 0-17 l/min, mounted on DIN/MODURA rails with bracket, hose, and AGA angle connector	DTM 02 03 01
Metering range 2 x 0-17 l/min, mounted on DIN/MODURA rails with bracket, hose, and DIN angle connector	DTM 02 03 02



# OXYGEN FLOWMETERS WITH HUMIDIFIERS

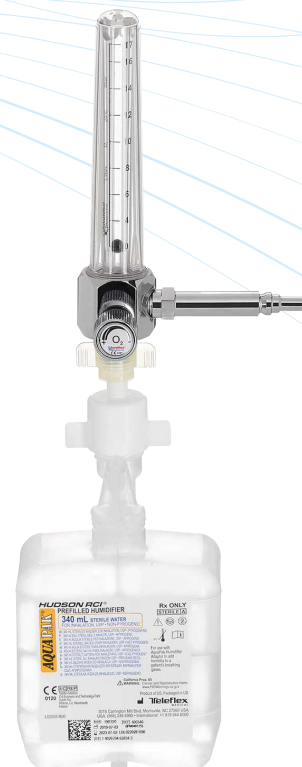


## FEATURES

- › flow measurement and indication when connected with terminal units of medical gas pipeline systems
- › gas flow control by means of a knob
- › gas humidification with distilled water during dispensing

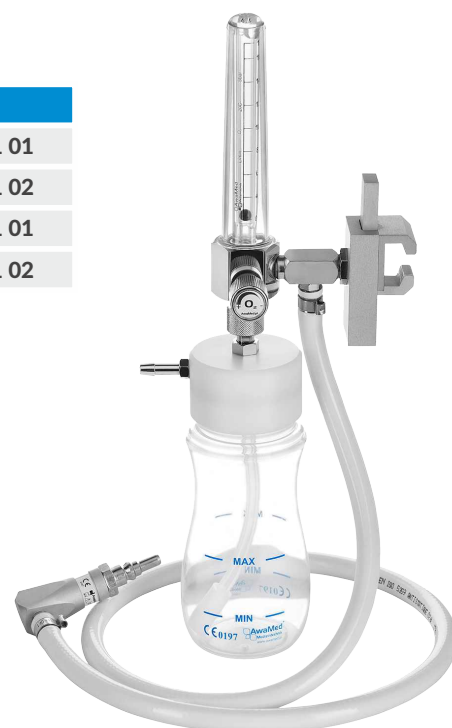
## TECHNICAL CHARACTERISTICS

- › inlet pressure 5 bar
- › pressure range for correct indication 5 +/- 0.5 bar
- › flow control range 0-17 l/min or 0-6 l/min
- › 300 ml polypropylene humidifier bottle (standard)
- › 250 ml, 500 ml, or 1,000 ml glass humidifier bottle (option)
- › min. distilled water volume for humidification - 70 ml
- › max. distilled water volume for humidification - 150 ml
- › sterilization temperature:
  - polypropylene container - 121°C
  - glass container - 134°C
- › capability: approx. 12 ml/h of water with gas flow rate of 17 l/min
- › gas humidity (if humidification is required) 0-60%
- › reading accuracy +/- 10%



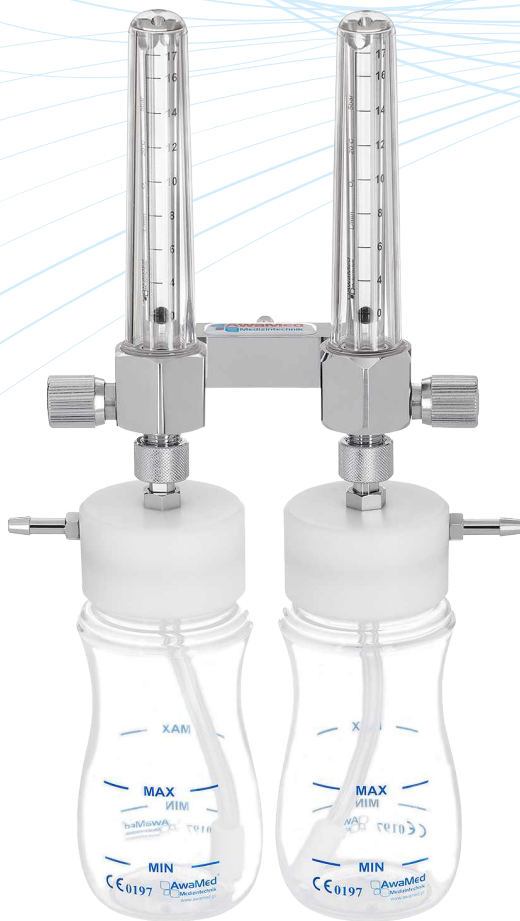
OUTLET-MOUNTED FLOWMETER WITH HUMIDIFIER*	INDEX
Flowmeter with humidifier, metering range 0-6 l/min, attachable to AGA outlets	DTM 03 01 01
Flowmeter with humidifier, metering range 0-6 l/min, attachable to DIN outlets	DTM 03 01 02
Flowmeter with humidifier, metering range 0-17 l/min, attachable to AGA outlets	DTM 04 01 01
Flowmeter with humidifier, metering range 0-17 l/min, attachable to DIN outlets	DTM 04 01 02

RAIL-MOUNTED FLOWMETER WITH HUMIDIFIER*	INDEX
Flowmeter with humidifier, metering range 0-6 l/min, mounted on DIN/MODURA rails with bracket, hose, and AGA angle connector	DTM 03 02 10
Flowmeter with humidifier, metering range 0-6 l/min, mounted on DIN/MODURA rails with bracket, hose, and DIN angle connector	DTM 03 02 11
Flowmeter with humidifier, metering range 0-17 l/min, mounted on DIN/MODURA rails with bracket, hose, and AGA angle connector	DTM 04 02 10
Flowmeter with humidifier, metering range 0-17 l/min, mounted on DIN/MODURA rails with bracket, hose, and DIN angle connector	DTM 04 02 11



\* possibility to connect a humidifier with a glass container

# DUAL OXYGEN FLOWMETERS WITH HUMIDIFIERS



## INSTALLATION

- › The flowmeters can be fixed to gas outlets using AGA or DIN connectors, or to DIN/MODURA medical rails using clamping brackets

## SUPPLY

- › to 6 bar
- › compressed air

OUTLET-MOUNTED FLOWMETER WITH HUMIDIFIER*	INDEX
Flowmeter with humidifier, metering range 2 x 0-6 l/min, attachable to AGA outlets	DTM 07 01 01
Flowmeter with humidifier, metering range 2 x 0-6 l/min, attachable to DIN outlets	DTM 07 01 02
Flowmeter with humidifier, metering range 2 x 0-17 l/min, attachable to AGA outlets	DTM 08 01 01
Flowmeter with humidifier, metering range 2 x 0-17 l/min, attachable to DIN outlets	DTM 08 01 02

\* possibility to connect a humidifier with a glass container

RAIL-MOUNTED FLOWMETER WITH HUMIDIFIER*	INDEX
Flowmeter with humidifier, metering range 2 x 0-6 l/min, mounted on DIN/MODURA rails with bracket, hose, and AGA angle connector	DTM 08 04 01
Flowmeter with humidifier, metering range 2 x 0-6 l/min, mounted on DIN/MODURA rails with bracket, hose, and DIN angle connector	DTM 08 04 02
Flowmeter with humidifier, metering range 2 x 0-17 l/min, mounted on DIN/MODURA rails with bracket, hose, and AGA angle connector	DTM 08 02 01
Flowmeter with humidifier, metering range 2 x 0-17 l/min, mounted on DIN/MODURA rails with bracket, hose, and DIN angle connector	DTM 08 02 02

\* possibility to connect a humidifier with a glass container

# ACCESSORIES - HUMIDIFIERS



## POLYPROPYLENE CONTAINER HUMIDIFIER CHARACTERISTICS

- › plastic (polypropylene) bottle
- › 300 ml capacity
- › possibility to sterilize at 121°C
- › capability up to approx. 7 ml of water/h
- › maximum humidification 60%

## GLASS CONTAINER HUMIDIFIER CHARACTERISTICS

- › glass bottle
- › 250 ml, 500 ml, or 1,000 ml capacity
- › possibility to sterilize at 134°C
- › capability up to approx. 7 ml of water/h
- › maximum humidification 60%



Bottle adapter FARUM ver. II

NAME	INDEX
Polypropylene water container 300 ml	NBZ 02 02 04
Glass water container 250 ml	NBZ 03 02 00
Glass water container 500 ml	NBZ 03 03 00
Glass water container 1,000 ml	NBZ 03 04 00
Sterile water container RespiFlo 325 ml (disposable)	PRF 01 01 01
Sterile water container RespiFlo 500 ml (disposable)	PRF 01 01 00
Sterile water container Aquapak 340 ml (disposable)	PRF 01 01 02
Sterile water container Aquapak 600 ml (disposable)	PRF 01 01 03
Flowmeter humidifier 300 ml with polypropylene container - NBZ	NBZ 01 00 00
Flowmeter humidifier 300 ml without container	NBZ 01 00 01
Flowmeter humidifier 250 ml, glass, with container	NBZ 02 00 00
Flowmeter humidifier 500 ml, glass, with container	NBZ 02 00 01
Flowmeter humidifier 1,000 ml, glass, with container	NBZ 02 00 02
Flowmeter humidifier, glass, without container	NBZ 01 00 02
Bottle adapter for flowmeter, FARUM, ver. II, 300 ml container	NBZ 01 05 00 B



RespiFlo container



Aquapak container



glass container



polypropylene container



polypropylene container with FARUM adapter, ver. II

# ACCESSORIES - ADAPTERS FOR BOTTLE HUMIDIFIERS



RespiFlo 16x1

RespiFlo 34x1.5

NAME	flowmeter connection thread	humidifier connection thread	INDEX
Adapter RespiFlo 14x1 female (FARUM ver. I)	14x1 female	9/16	NBZ 01 08 00
Adapter RespiFlo 34x1.5 male (DRAGER)	34x1,5 male	9/16	NBZ 01 09 00
Adapter RespiFlo G3/8 female	G3/8 female	9/16	NBZ 01 10 00
Adapter RespiFlo 16x1 male (FARUM ver. II)	16x1 male	9/16	NBZ 01 12 00
Adapter RespiFlo 12x1.25 female	12x1,25 female	9/16	NBZ 01 13 00
Adapter RespiFlo G1/4 female	G1/4 female	9/16	NBZ 01 14 00

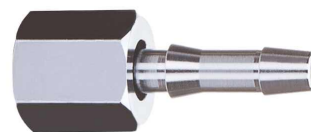
## FLOWMETER SPARE PARTS



SPARE PARTS	INDEX
Flowmeter dome	DTZ 01 01 00
Flowmeter tube with scale 0-6 l/min	DTZ 01 03 00
Flowmeter tube with scale 0-17 l/min	DTZ 01 02 03
Flow indicator ball	DTZ 01 02 01
Control knob complete 0-6 l/min	DTZ 01 12 01A
Control knob complete 0-17 l/min	DTZ 01 12 01

### CONNECTOR

For connecting the flowmeter directly to a hose



INDEX

TN 01 02 10



installation



warranty



attestation



consulting



service



design



needs analysis



© AwaMed - Medizintechnik second edition

AwaMed - Medizintechnik Arkadiusz Warzyński  
ul. Zeusa 1 • 72-006 Mierzyn • www.awamed.pl

awamed@awamed.pl tel. 91 48 76 849

20 YEARS  
of experience

200  
products

